

SW305 | SW405

**SANY**

Quality Changes the World



# POWERFUL ALL-ROUNDERS

STRONGER. MORE ROBUST. FASTER.

CONSTRUCTION MACHINES



**WHEEL LOADERS**  
**SW305 | SW405**

Engine  
DEUTZ TCD 6.1 | 7.8  
Rated power  
129 kW | 170 kW  
Bucket capacity  
2.3 m<sup>3</sup> | 3.2 m<sup>3</sup>  
Operating mass  
14 500 kg | 18 500 kg

# SANY

## You need an outstanding partner for demanding tasks

Quality comes from experience. And from new ideas. That is why we combine these two vital factors at SANY. Because we are one of the leading manufacturers, having produced well over **500 000** excavators **worldwide**. This means you can always rely on sophisticated products that have been tried and tested in practice. By way of example, **5 to 7%** of our annual revenue is invested in research and development. Our products are so powerful and robust that we give you our exceptional **5-year warranty** on them.

**> 500 000**  
EXCAVATORS PRODUCED  
**WORLDWIDE**

**5-7%**  
RESEARCH AND  
DEVELOPMENT REVENUE

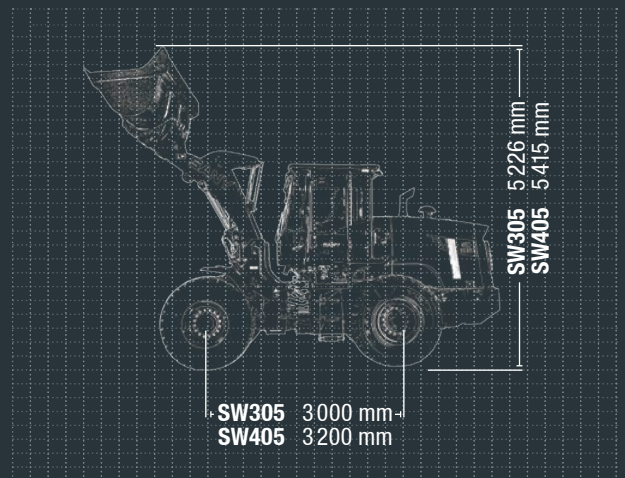
**5-YEAR**  
WARRANTY\*

Quality Changes the World

\* Available on selected SANY products only.



## SW305 | SW405 SPECIFICATIONS

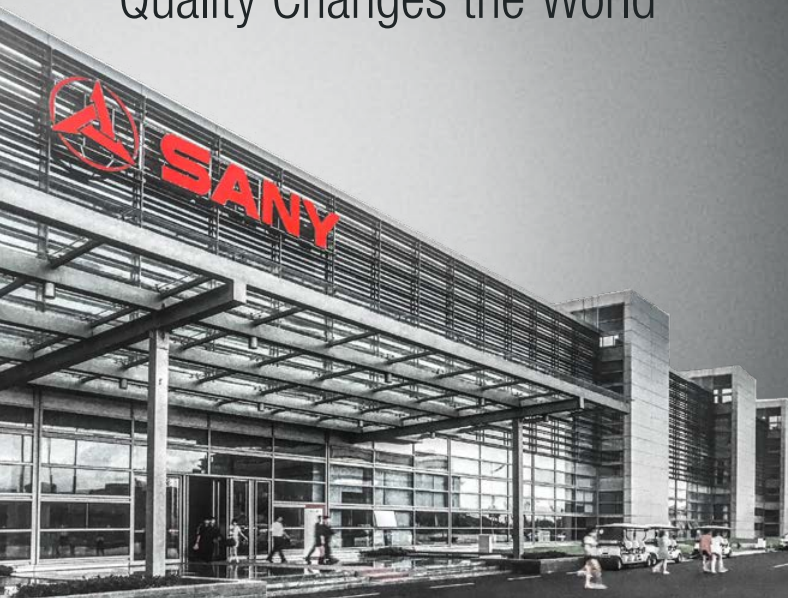


### SW305

Total height 3405 mm  
Transport length 7518 mm  
Max. speed 41 km/h

### SW405

Total height 3580 mm  
Transport length 8180 mm  
Max. speed 40 km/h





# ALL-ROUNDERS AND SPECIALISTS

SW305/SW405 wheel loaders are fully focused on productivity. Their heavy-duty frame design means they can easily cope with the toughest demands and are real workhorses wherever they are used. Whether you need an all-rounder for handling materials or a specialist machine with attachments specific to your application, you can be sure that SANY wheel loaders will always deliver maximum performance.

# TOP FEATURES

ECONOMY

# ECONOMICAL SAVINGS PACKAGE

The powerful Deutz Stage V common rail diesel engine offers impressively high performance and low fuel consumption, thanks to the electronic engine management system (EMR) with intelligent link to the drive management system and the automatic powershift transmission with four forward and three reverse gears, including transmission cut-off and a kickdown feature. The EU Stage V emissions standard is achieved with the addition of AdBlue (SCR) and a diesel particulate filter (DPF).

## QUALITY

**Optimal framework** – The SW305 / 405 have been built using the most advanced production techniques and premium components for superior structural strength.

## DIMENSIONS

**Designed to be productive** – SANY wheel loaders have been designed to handle large tipping loads, with a bucket capacity of 2.3m<sup>3</sup> for the SW305 and 3.2m<sup>3</sup> for the SW405.

## EASE OF USE

**Developed for operators** – With its high backrest and lots of individual adjustment options, the air-suspension Grammer driver's seat offers outstanding comfort.



## SAFETY

**Maximum safety, minimal risk** – The ROPS/ FOPS certified cab keeps the operator safe at all times and the 360 camera system ensures an unrestricted view when working. To protect bystanders a travel alarm and rotating beacon is also fitted on the machines as standard.

## COMPONENTS

**Quality is what drives us** – Equipped with a state-of-the-art 6-cylinder, common rail diesel engine, our wheel loaders deliver a powerful 129 kW or 170 kW of power.

## ECONOMY

**Shorter cycle times** – The powerful load-sensing hydraulics allow the attachments to respond as efficiently as possible, thereby improving the lifting and lowering speed of the mast, helping to achieve maximum productivity.

ECONOMY

**Impressive efficiency**

The fan speed is dependent on the temperature. This means lower noise emissions and reduced fuel consumption. The reversible fan automatically cleans the radiator so that it performs reliably and does not become clogged even under extreme working conditions. The reversing mode can be selected at regular intervals and so the radiator cleaning process can be adapted to the external conditions.

The effective vibration damping system ensures faster and safer operation. It minimises the machine's pitching movements, thereby ensuring higher productivity.

COMPONENTS

**PERFECTLY EQUIPPED**

SANY only uses tried and tested parts from brand manufacturers you know and trust.

Low-maintenance heavy-duty axles from ZF and Dana, with multi-disc brakes running in oil and engageable limited slip differential in the front axle

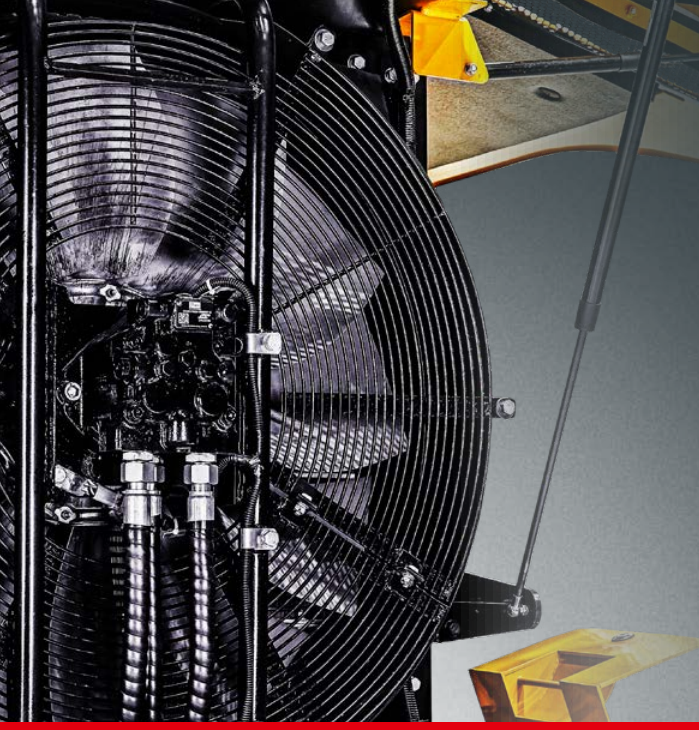
Load-sensing main hydraulic pump from Rexroth, with steering and loading hydraulic pump including a third control circuit as standard

Automatic Ergopower powershift transmission from ZF and Dana (SW405) for maximum shifting comfort in automatic or manual mode

**Perfectly harmonised kinematics**

The Z-kinematics apply full force where it is needed – at the bucket. This ensures high breakaway forces and fast loading and emptying. The SW305 comes equipped with a powerful Rexroth load-sensing system, while the SW405 has a Kawasaki load-sensing twin pump system. The loading hydraulic pump in both has a third control circuit as standard, which is controlled using a hydraulically operated single lever control.

This allows attachments such as a high-tip bucket, a pallet fork with side shift, a snow blade or a sweeping brush to be connected directly. The machines are also prepared for a hydraulic quick coupler, including pipework at the end of the mast. The practical float position allows greater versatility and more efficient working when completing jobs such as surface levelling or operating sweeping equipment.



# EFFICIENCY, COST-EFFECTIVENESS & EASE OF USE

EASE OF USE

## THE COMFORT STATION

The SANY wheel loaders have a comfortable and spacious cab and boast low noise levels of 71dB(A) ensuring a safe and more enjoyable ride for every operator. The air-suspension operators seat and adjustable steering column help to increase riding comfort further, while the ergonomically designed controls and high resolution 7" touchscreen display aid intuitive operation. Automatic climate control also modulates cab temperature automatically so operators can stay focused on their work.

For ease of access the SW305 and SW405 also come with keyless entry, designed to make work more straightforward.

### Even more positives promoting productivity and ease of use:

- + Kickdown feature enables a quick downshift to first gear for maximum thrust when required
- + Stroke cut-off to limit the excavation height for faster, safer work in conditions where overhead clearance is limited
- + Tilt deactivation to limit the dump/tilt angle, the bucket always moves automatically to a preset position

EASE OF USE

### All set for uncomplicated use

Operator controls in the SW305 and SW405 have been designed to be as intuitive and straightforward as possible.

The 7" colour, touch-screen display has been positioned for easy viewing and presents key information on the screen using clear, crisp graphics. Everyday work tasks are made easier by automatic pre-set functions which helps with the efficiency and speed of work.



### Absolute reliability – for peace of mind!

SANY has earned a reputation worldwide for reliability, durability and performance but to provide peace of mind and to ensure maximum uptime all SANY wheel loaders are backed by the SANY industry leading 5 year warranty\*

\* Terms and conditions apply. Check with your local dealer for more information.



SAFETY

# SAFETY FIRST

SANY wheel loaders are designed and equipped for maximum safety. The ROPS/FOPS certified cab ensures protection for machine, operator and bystanders on site.



SAFETY

## Good light, good visibility

The SW305 and SW405 are equipped with four maintenance-free, LED spot lights for maximum visibility in low light conditions. The view through the large windscreen and side windows is enhanced further by the 360 degree camera system fitted to the machine.



## Our highlights – your SANY Plus benefits:

- + Highly powerful and productive wheel loader
- + Spacious ROPS/FOPS certified cab
- + Key components from renowned manufacturers
- + SANY EVI telematics



PROCESSING

## Setting standards for durability

The heavy-duty frame design is built to last. With its high quality components, precision machinery and rigorous testing SANY wheel loaders can withstand tough working environments and are designed for a long service life.



# TECHNICAL SPECIFICATIONS

## ENGINE

	305	405
Model	Deutz TCD 6.1 L6	Deutz TCD 7.8 L6
Type	6-cylinder with common rail injection and water cooling	6-cylinder with common rail injection and water cooling
Emission standard	Stage V	Stage V
Rated power acc. to ISO/TR14396	129 kW / 2200 rpm	170 kW / 2300 rpm
Displacement	6.1 l	7.8 l
Exhaust treatment	SCR / DPF	DOC / SCR / DPF

## ELECTRICS

	305	405
Battery	2 × 12 V / 120 Ah	2 × 12 V / 120 Ah
Alternator	100 A	100 A

## DRIVE

	305	405
Drive type	Automatic powershift transmission with torque converter TC ZF	Automatic powershift transmission with torque converter TC SANY
Gears/Forward/Reverse	4 / 3	4 / 3
Forward/Reverse	Electric toggle switch/steering column	Electric toggle switch/steering column
Max. speeds	1st gear: 7 km/h 2nd gear: 14 km/h 3rd gear: 27 km/h 4th gear: 41 km/h	1st gear: 7.2 km/h 2nd gear: 13.5 km/h 3rd gear: 27 km/h 4th gear: 40 km/h

## HYDRAULIC SYSTEM

	305	405
Main pump	Load-sensing axial piston pump	Load-sensing axial piston pump
Max. oil flow	220 L/min	307 L/min
Relief valve (working hydraulics)	270 bar	280 bar

## FILLING QUANTITIES

	305	405
Fuel tank	227 l	300 l
Engine oil	15.5 l	23 l
Front axle	34.8 l	26 l
Rear axle	34.8 l	26 l
Gearbox	50 l	35 l
Hydraulic system	128.7 l	290 l
Coolant	33 l	43 l
DEF tank	10 l	20 l

## OPERATING MASS

	305	405
Operating mass	14500 kg	18500 kg

## STEERING

	305	405
Steering type	Articulated	Articulated
Max. steering angle	+/- 40°	+/- 40°
Outer tyres turning radius	5382 mm	5635 mm
Outer bucket turning radius	5969 mm	6465 mm

## TYRES

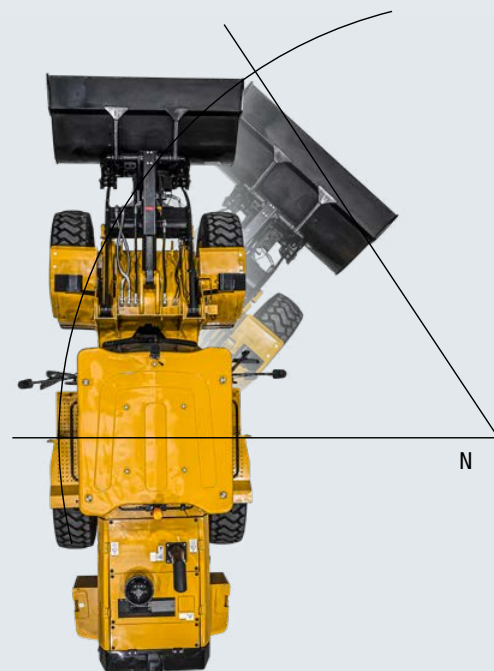
	305	405
Dimensions	20.5R25 L3	23.5R25 L3
	17.5R25 L3	23.5R25 L5

## BRAKES

	305	405
Service brake	Hydraulic multi-disc brake in oil bath on both axles, acts on all wheels	Hydraulic multi-disc brake in oil bath on both axles, acts on all wheels
Parking brake	Electrohydraulic parking brake	Electrohydraulic parking brake

## AXLES

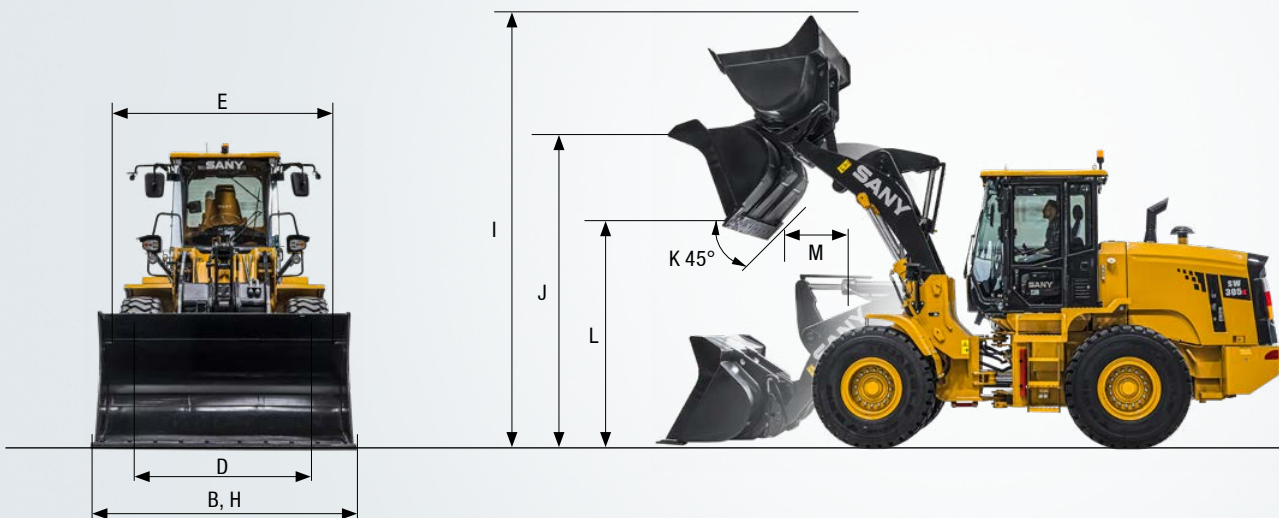
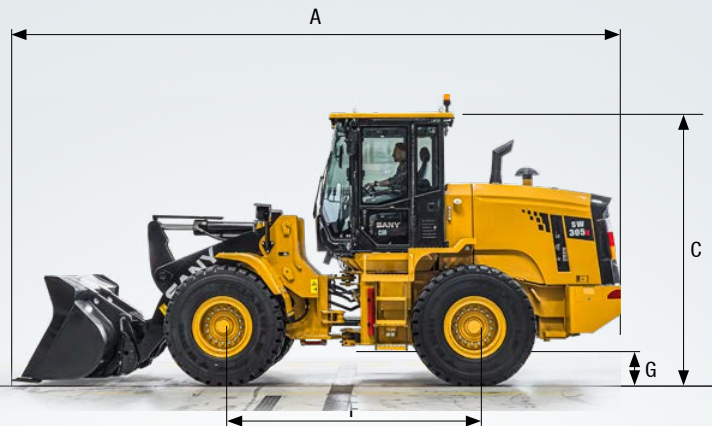
	305	405
Type	Heavy duty; planetary drive on each wheel; floating axle (rear)	Heavy duty; planetary drive on each wheel; floating axle (rear)
Oscillating angle	+/- 12°	+/- 12°
Differential	Manually engaged limited slip differential 100% on the front axle	Manually engaged limited slip differential 100% on the front axle





**DIMENSIONS**

	305	405
A Total length (transport position)	7518 mm	8180 mm
B Total width	2545 mm	3015 mm
C Total height	3405 mm	3580 mm
D Track width	2045 mm	2200 mm
E Total width over tyres	2476 mm	2815 mm
F Wheelbase	3000 mm	3200 mm
G Ground clearance	407 mm	430 mm


**ATTACHMENTS**

	305	405
Bucket capacity (SAE)	2.3 m <sup>3</sup>	3.2 m <sup>3</sup>
H Bucket width	2545 mm	3015 mm
I Max. height	5226 mm	5415 mm
J Height to hinge point	3845 mm	4145 mm
K Dump angle	45°	45°
L Dump height	2689 mm	3100 mm
M Reach, fully raised	1 038 mm	1 185 mm
N External bucket turning radius	5969 mm	6 465 mm
Bucket weight	1 110 kg	1 408 kg
Tipping load – straight (bucket)	8 899 kg	14 500 kg
Tipping load – fully turned in (bucket)	7 714 kg	14 000 kg
Breakout force	123 kN	180 kN
Total length, incl. attachment	7518 mm	8180 mm

## Simply more

Both the SW305 and the SW405 are equipped with numerous features as standard that ensure greater convenience, more safety and higher productivity. These include vibration damping, bucket return, adjustable lifting and tipping speeds or the float position.

- Standard
- Optional

EASE OF USE / CAB	305	405
Cab with ROPS / FOPS certification	●	●
Emergency hammer	●	●
Rear mirrors, outside(2) with heated function, inside(1)	●	●
Sun visor, front window	●	●
Air-suspension seat (cloth, heated)	●	●
Seat belt, 2-point retractable	●	●
Armrest adjustable in multiple directions	●	●
360° view camera with dedicated monitor	●	●
Rear view camera	●	●
7" smart colour display	●	●
Auto air conditioner	●	●
Heated rear window	●	●
3-point belt seat	○	○

DRIVETRAIN: DIESEL ENGINE	305	405
Gear selector lever (steering-column)	●	●
Fully automatic shifting 1-4, H/L Patten & Manual	●	●
Automatic transmission kick down	●	●
Clutch-cut off	●	●
Service brake, 4-wheel, wet-type, hydraulic brake	●	●
Parking brake, electronically controlled, hydraulic caliper disc brake	●	●
Differential lock front axle (manual)	●	●
Exhaust aftertreatment (DPF+SCR)	●	●
Keyless	●	●
Engine emergency stop (in cab)	●	●
P/E Patten	●	●
Engine preheater	●	●
Parking brake, electronically controlled, hydraulic caliper disc brake	●	●
Automatic hydraulic reversible fan	●	●
Cold start aid (air pre-heated)	●	●

\* The climate control system contains fluorinated greenhouse gases: refrigerant type: HFC-134a, global warming potential: 1 430, quantity: 1.2 kg, CO<sub>2</sub>e: 1.22 t



ELECTRICAL SYSTEM	305	405
Battery disconnect switch	●	●
24V system, 2 x 12V batteries 120Ah	●	●
Converter kit with 12V auxiliary power outlet	●	●
AM/FM Bluetooth® radio with USB port	●	●
Reverse alarm	●	●
Travel acoustic alarm	●	●
Travel strobe light alarm	●	●
Cab mounted LED work light package (dual front & rear)	●	●
Battery main switch	●	●
Alternator 120 Amp	●	●
12V cab converter	●	●
EVI Telematics system	●	●

HYDRAULIC	305	405
Load-sensing system with variable pump power	●	●
Full variable load-sensing system with steering priority	●	●
Single-lever EH joystick with FNR+KD+horn+3rd function proportional control with detent	●	●
Dual brake pedals	●	●
3rd function valve	●	●
Hydraulic quick coupler lines	●	●
Ride control system	●	●
Dual brake pedals	●	●
Bucket kick-out	●	●
Bucket level indicator	●	●
Real time bucket height read out via display	●	●
Bucket kick-out	●	●
Automatic lubrication	○	○

OTHER	305	405
Tyres: 17.5R25 L3	○	
Tyres: 20.5R25 L3 Radial (3 piece rims)	●	
Tyres: 23.5R25 L3 Radial (3 piece rims)		●
Tyres: 23.5R25 L5		○
Front and rear fenders	●	●
Articulation locking bar	●	●
Lift arm locking bar	●	●

## SANY genuine parts

SANY genuine parts are designed, tested and manufactured to meet the exact specification and requirements of your SANY wheel loader. They will fit exactly as needed and will deliver maximum performance. They also ensure optimum safety for the operator on site and reduce unplanned maintenance and downtime. Ultimately, SANY genuine parts are the best choice for your machine and are backed with a 12 month warranty period.



# A SERVICE YOU CAN RELY ON

Just as we do with our machines, we also demand high quality and reliability of our service products. This underlines our equipment's performance in terms of their durability and their excellent price-performance ratio. After all, maintenance is crucial

for efficiency, cost-effectiveness and safety. Your SANY dealer is happy to help you with a comprehensive range of services to ensure that your machine continues operating efficiently in the long term.

## SANY – flexible, fast and always there for you

Rapid assistance, tailored advice and a reliable supply of original parts – that is what we mean by a premium service. To locate your nearest dealer, visit <https://www.sanyuk.com>.



## The added benefits SANY offers you:

- + Experienced dealer network throughout the UK and Ireland
- + Direct sales and support route in Scotland and the south east of England
- + Dedicated SANY team based in the UK to support you and your product
- + UK parts warehouse to ensure SANY machines are fully supported



## Seamless, in black and white

Manuals and documents are available for all SANY wheel loaders to assist you during operation, maintenance, servicing and repair of your machine. These documents include operating and maintenance instructions and technical specifications.



HIGHLIGHTS **SW305** | **SW405**

# EFFICIENCY MEETS VERSATILITY

The SANY SW305/SW405 wheel loaders take productivity to the next level. With their powerful common rail diesel engines and robust heavy-duty frame design, these are the ideal choice wherever power and reliability are required. Strong breakaway forces and large tipping loads are their hallmarks. And with the wide range of options for attachments, SANY wheel loaders are multifunctional machines that can handle a variety of tasks brilliantly.



## ROBUST FRAMEWORK

The **heavy-duty frame design** and the **HD axles from ZF / Dana** guarantee a **long service life** under even the toughest operating conditions.

## DESIGNED FOR PRODUCTIVITY

Optimally equipped for large jobs. The **Z-kinematics** provide full power to the bucket and guarantee **strong breakaway forces** and **quick loading/emptying times**.

## DEVELOPED FOR OPERATORS

Spacious and ergonomically designed, the operators cab offers a pleasant and safe working environment.

## A CLEAR VIEW

**Four cameras** provide a 360° panoramic view enhanced by four powerful and maintenance-free LED headlights for use in low light conditions.

## QUALITY IS WHAT DRIVES US

Powerful and with high torque – the **6-cylinder diesel engine** and the **automatic Ergopower powershift transmission from ZF** allow the machine to work and move with speed.

## SHORTER CHARGING CYCLES

The **intelligent control system for the hydraulic power** ensures that the pump delivers only the volume flow that is actually required. This not only saves fuel, but also allows you to work faster. The **optimised lifting and lowering speed of the mast** also assists with this.

## TECHNICAL HIGHLIGHTS SW305

Engine	Deutz TCD 6.1 L6
Rated power	129 kW / 2 200 rpm
Bucket capacity	2.3 m <sup>3</sup>
Max. speed	41 km/h
Max. steering angle	+/- 40°
Main pump	Load-sensing axial piston pump
Max. oil flow	220 l/min

## TECHNICAL HIGHLIGHTS SW405

Engine	Deutz TCD 7.8 L6
Rated power	170 kW / 2 300 rpm
Bucket capacity	3.2 m <sup>3</sup>
Max. speed	40 km/h
Max. steering angle	+/- 40°
Main pump	Load-sensing axial piston pump
Max. oil flow	307 l/min

Not all products are available in all markets. We reserve the right to change specifications and designs without prior notice as part of our continuous improvement process. The illustrations may contain additional options.

# SANY

Quality Changes the World

SANY HEAVY  
MACHINERY (UK) LTD

info@sanyuk.com  
www.sanyuk.com