

EXCAVATOR



SY60C

Yanmar Engine

STANDARD FEATURES

- ➔ Swing boom functionality
- ➔ Conventional tail swing
- ➔ 1-way and 2-way primary auxiliary circuit
- ➔ Quick coupler plumbing
- ➔ Powerful Yanmar Engine

41.1 kW

Net Power

3,961 mm

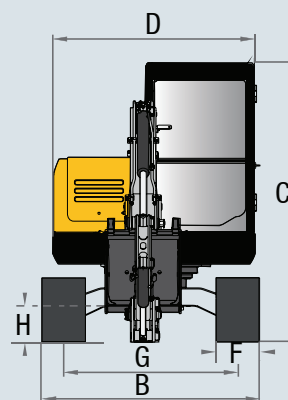
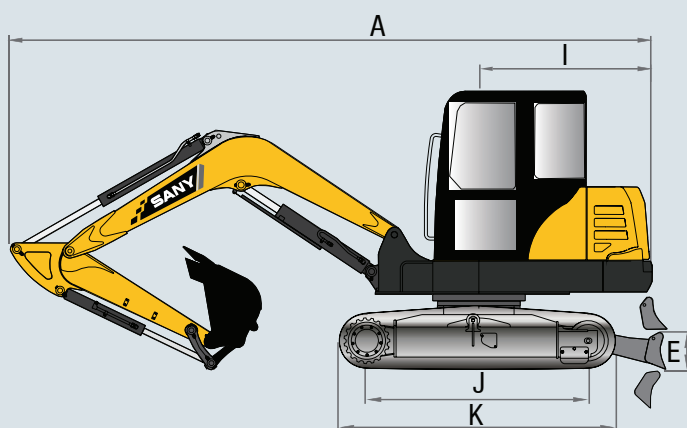
Dig Depth

6,100 kg

Operating Weight

45.0 kN

Bucket Breakout



TECHNICAL SPECIFICATIONS

| | |
|------------------------------|--------------------------------------|
| Operating Weight | 6000 kg |
| Ground Pressure | 34.6 kPa |
| Engine | Yanmar 4TNV98C-WSY |
| Displacement | 3.32 L |
| Gross Power | 42.4 kW |
| Net Power | 41.1 kW |
| Hydraulics | Load Sensing with Pilot Control |
| Main Hydraulic Pump | Axial Piston – Variable Displacement |
| Operating Flow (maximum) | 381 L/min |
| Operating Pressure (maximum) | 24.5 MPa |
| Auxiliary Flow (maximum)* | 90 L/min |
| Auxiliary Pressure (maximum) | 25 MPa |
| Travel Motor | Axial Piston with Park Brake |
| Travel Pressure (maximum) | 24.5 MPa |
| Travel Speeds (maximum) | 2.4 / 3.7 km/hr |
| Travel Effort (maximum) | 47.2 kN |
| Grade Capability (maximum) | 35° |
| Swing Motor | Axial Piston with Swing Brake |
| Swing Pressure (maximum) | 19.1 MPa |
| Swing Speed (maximum) | 9.6 RPM |
| Undercarriage (standard) | Belted Rubber Track |
| Track Shoe Width (standard) | 400 mm |
| Track Rollers (per side) | 5 |
| Carrier Rollers (per side) | 1 |

DIMENSIONS

| | |
|-------------------------------|---------|
| Boom Length | 3000 mm |
| Stick Length | 1700 mm |
| A Transport Length | 6015 mm |
| B Transport Width | 2005 mm |
| C Transport Height | 2645 mm |
| D Upper Structure Width | 1860 mm |
| E Blade Height | 340 mm |
| F Track Width (standard shoe) | 400 mm |
| G Track Gauge | 1600 mm |
| H Ground Clearance (minimum) | 330 mm |
| I Tail Swing Radius | 1640 mm |
| J Track Length on Ground | 2045 mm |
| K Track Length | 2545 mm |

SERVICE REFILL CAPACITIES

| | |
|-------------------------|---------|
| Fuel Tank Capacity | 130.0 L |
| Hydraulic Tank Capacity | 85.0 L |
| Engine Oil Capacity | 9.6 L |
| Cooling System Capacity | 5.6 L |

Based on theoretical calculation at max flow with no load. Subject to alterations. In the interest of continual equipment development, SANY UK Inc. reserves the right to change these specifications at any time without prior notification.

*Based on theoretical calculation at max flow with no load. Subject to alterations. In the interest of continual equipment development



STANDARD AND OPTIONAL EQUIPMENT

s = standard / o = optional

| SY60C | ENGINE |
|-------|---|
| s | Yanmar 4TNV98C |
| s | EU Stage V compliant |
| s | Auto-idle |
| s | Dual-element dry air filter |
| s | Engine air precleaner |
| s | Coolant Expansion tank |
| s | Electronic engine control |
| s | Fan guard |
| s | Engine coolant to -37 deg. C |
| s | Full-flow oil filter |
| s | High flow cooling fan |
| s | 500-hour engine-oil-change interval |
| s | No scheduled DPF maintenance for 6000 hours |
| s | Fuel filter and water separator |
| | HYDRAULIC SYSTEM |
| s | Spring-applied, hydraulically released automatic swing brake |
| s | Load sensing hydraulic system |
| s | Control pattern change valve |
| s | Primary auxiliary hydraulic circuit with 1 and 2-way combination piping |
| s | Auxiliary hydraulic-flow adjustments through monitor |
| s | Adjustable auxiliary pressure relief |
| s | Quick coupler ready |
| | UNDERCARRIAGE |
| s | Planetary drive with axial piston motors |
| s | Propel motor shields |
| s | Spring-applied, hydraulically released automatic propel brake |
| s | Track guides, front idler and 2 per side |
| s | 2-speed travel |
| s | 5 lower track rollers each side |
| s | 1 upper carrier roller each side |
| s | Dozer blade with cylinder guarding |
| s | Tie downs on track frame and dozer blade |
| s | 400mm (16") wide rubber tracks |
| s | Undercarriage frame opening guard |
| | UPPERSTRUCTURE |
| s | Right-hand, left-hand, and counterweight mirrors |
| s | Lockable cab, hood, and service doors |
| s | Debris screen in side panel |
| s | Remote-mounted engine oil and fuel filters |
| s | Daily fluid level inspection visible from ground |
| s | Rear reflectors |
| | ATTACHMENTS |
| s | Convenient grease points |
| s | Dirt seals on all bucket pins |
| s | grease gun |

In the interest of continual equipment development, SSSY UK Inc. reserves the right to change these specifications at any time without prior notification.



STANDARD AND OPTIONAL EQUIPMENT

s = standard / o = optional

| SY60C | ATTACHMENTS |
|--------------------|---|
| s | Oil-impregnated bushings |
| s | Reinforced thrust plates |
| s | Quick release couplers |
| OPERATOR'S STATION | |
| s | Hydraulic pilot controls |
| s | Proportional auxiliary switches on joystick |
| s | Travel levers with foot pedals |
| s | AM/FM radio with bluetooth and USB connection port |
| s | Cell phone tray |
| s | Weight adjustable suspension cloth seat with fore/aft adjustment and adjustable armrests |
| s | 2" seat mounted lap belt |
| s | Emergency stop switch |
| s | Sliding front window |
| s | Removable lower front window |
| s | Window breaker |
| s | ECO mode switch |
| s | 8 tool selection modes |
| s | Fully adjustable auxiliary flow circuits and pressure from display |
| s | Multifunction color LCD monitor with: Diagnostic capability / Multiple-language |
| s | System monitoring features: Auto-idle indicator, 2-speed indicator, work-mode indicator, preheat icon, time and date, battery charge icon, throttle position, engine oil pressure alarm, DPF regeneration inhibit indicator, fuel level gauge, maintenance needed icon, failure code, standard/eco work mode icon, engine coolant temperature, coolant temp alarm, severe failure alarm, work tool mode icon, operating hours |
| s | High performance heating, ventilation, and air conditioning system |
| s | Operation and maintenance manual storage |
| s | Heavy duty removeable rubber floor mat |
| s | Front windshield wiper with high and low speed |
| s | Horn, electric |
| s | Hour meter, electric |
| s | Hydraulic shutoff lever, all controls |
| s | Interior light |
| s | Cup holder |
| s | Travel alarm with cancel switch |
| s | Transparent overhead hatch with retractable sun shade |
| ELECTRICAL | |
| s | 12V electrical system |
| s | Maintenance free battery |
| s | Ground level battery disconnect |
| s | Easy access fuse panel |
| s | Terminal battery covers |
| s | 80-amp alternator |
| s | 12V power outlet |
| LIGHTS | |
| s | Work lights: 2 mounted on top of cab, 1 mounted on boom, magnetic beacon |

**INDUSTRY'S
STRONGEST
STANDARD
WARRANTY**

**5-YEARS*
3,000 HOURS**

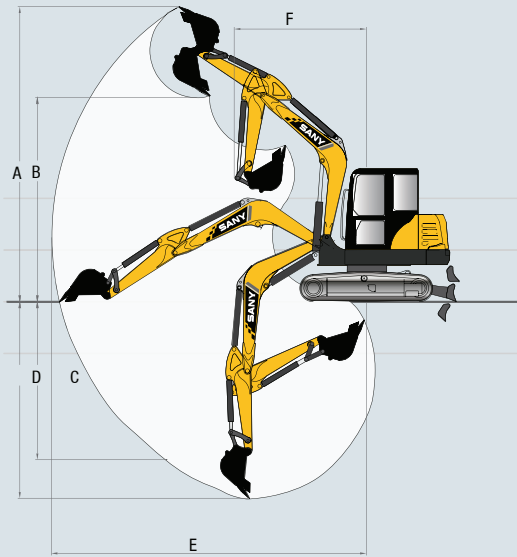
*Warranty applies to 2023 Excavator and Wheel Loader models only



SANY UK
sanyuk.com

PRODUCT SPECIFICATIONS EXCAVATOR || SY60C

WORKING RANGE



WORKING RANGE

| | |
|---------------------------------------|---------|
| Boom Length | 3000 mm |
| Stick Length | 1700 mm |
| A Maximum Digging Height | 5790 mm |
| B Maximum Dumping Height | 4060 mm |
| C Maximum Digging Depth | 3950 mm |
| D Maximum Vertical Wall Digging Depth | 3180 mm |
| E Maximum Reach at Ground Level | 6320 mm |
| F Minimum Swing Radius | 2555 mm |

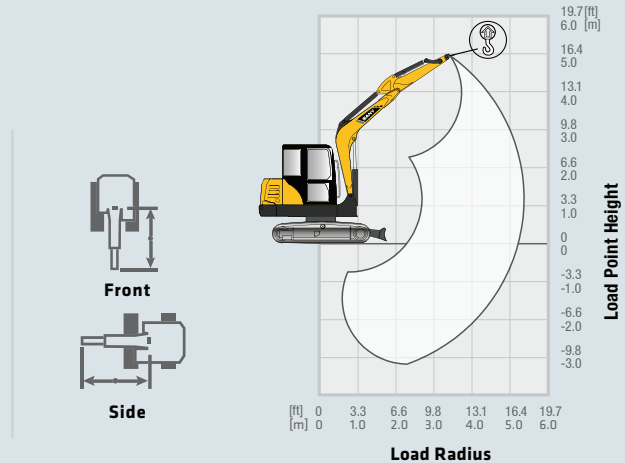
DIGGING PERFORMANCE

| | |
|-----------------------------|---------|
| Boom Length | 3000 mm |
| Dipper Length | 1700 mm |
| Bucket Breakout Force (ISO) | 45.0 kN |
| Dipper Tearout Force (ISO) | 33.0 kN |

Standard 3000 mm Boom
Standard 1700 mm Dipper
Standard 400 mm Track Tracks
No Bucket

Ratings are based on ISO 10567:200 7. Lift capacity does not exceed 75% of tipping load with the machine on firm, level ground or 87% of hydraulic lifting capacity.

LIFTING PERFORMANCE



| BLADE DOWN | LOAD RADIUS | 6.6 ft 2.0 m | | 9.8 ft 3.0 m | | 13.1 ft 4.0 m | | 16.4 ft 5.0 m | | MAX REACH | |
|------------|-------------------|----------------------|--------------------|----------------------|--------------------|----------------------|--------------------|----------------------|-------------------|----------------------|-------------------|
| | LOAD POINT HEIGHT | | | | | | | | | | |
| | 13.1 ft 4.0 m | | | | | 2205 lb 1000 kg* | 2205 lb 1000 kg | | | 2425 lb* 1100 kg* | 1874 lb 850 kg |
| | 9.8 ft 3.0 m | | | | | 2535 lb* 1150 kg* | 2205 lb 1000 kg | 2425 lb* 1100 kg* | 1433 lb 650 kg | 2535 lb* 1150 kg* | 1433 lb 650 kg |
| | 6.6 ft 2.0 m | | | 3968 lb* 1800 kg* | 3086 lb 1400 kg | 2976 lb* 1350 kg* | 2094 lb 950 kg | 2646 lb* 1200 kg* | 1433 lb 650 kg | 2646 lb* 1200 kg* | 1323 lb 600 kg |
| | 3.3 ft 1.0 m | | | 5401 lb* 2450 kg* | 2756 lb 1250 kg | 3638 lb* 1650 kg* | 1874 lb 850 kg | 2976 lb* 1350 kg* | 1433 lb 650 kg | 2756 lb* 1250 kg* | 1213 lb 550 kg |
| | 0 ft 0 m | | | 6173 lb* 2800 kg* | 2646 lb 1200 kg | 4079 lb* 1850 kg* | 1764 lb 800 kg | 3086 lb* 1400 kg* | 1323 lb 600 kg | 2976 lb* 1350 kg* | 1323 lb 600 kg |
| | -3.3 ft -1.0 m | 8378 lb* 3800 kg* | 5291 lb 2400 kg | 6063 lb* 2750 kg* | 2646 lb 1200 kg | 4079 lb* 1850 kg* | 1764 lb 800 kg | | | 3197 lb* 1450 kg* | 1433 lb 650 kg |
| | -6.6 ft -2.0 m | 8818 lb* 4000 kg* | 5181 lb 2350 kg | 5401 lb* 2450 kg* | 2646 lb 1200 kg | 3417 lb* 1550 kg* | 1874 lb 850 kg | | | 3417 lb* 1550 kg* | 1874 lb 850 kg |
| BLADE UP | 13.1 ft 4.0 m | | | | | 2205 lb* 1000 kg* | 2205 lb 1000 kg | | | 2205 lb* 1000 kg* | 1874 lb 850 kg |
| | 9.8 ft 3.0 m | | | | | 2205 lb* 1000 kg* | 2205 lb 1000 kg | 1984 lb* 900 kg* | 1433 lb 650 kg | 1984 lb* 900 kg* | 1433 lb 650 kg |
| | 6.6 ft 2.0 m | | | 3968 lb* 1800 kg* | 3086 lb 1400 kg | 2866 lb* 1300 kg* | 2094 lb 950 kg | 1984 lb* 900 kg* | 1433 lb 650 kg | 1764 lb* 800 kg* | 1323 lb 600 kg |
| | 3.3 ft 1.0 m | | | 3968 lb* 1800 kg* | 2756 lb 1250 kg | 2646 lb* 1200 kg* | 1874 lb 850 kg | 1948 lb* 900 kg* | 1433 lb 650 kg | 1764 lb* 800 kg* | 1213 lb 550 kg |
| | 0 ft 0 m | | | 3858 lb* 1750 kg* | 2646 lb 1200 kg | 2535 lb* 1150 kg* | 1764 lb 800 kg | 1874 lb* 850 kg* | 1323 lb 600 kg | 1764 lb* 800 kg* | 1323 lb 600 kg |
| | -3.3 ft -1.0 m | 7937 lb* 3600 kg* | 5291 lb 2400 kg | 3858 lb* 1750 kg* | 2646 lb 1200 kg | 2535 lb* 1150 kg* | 1764 lb 800 kg | | | 1984 lb* 900 kg* | 1433 lb 650 kg |
| | -6.6 ft -2.0 m | 8157 lb* 3700 kg* | 5181 lb 2350 kg | 3968 lb* 1800 kg* | 2646 lb 1200 kg | 2646 lb* 1200 kg* | 1874 lb 850 kg | | | 2646 lb* 1200 kg* | 1874 lb 850 kg |

* Indicates load limited by hydraulic lifting capacity.

In the interest of continual equipment development, SANY UK Inc. reserves the right to change these specifications at any time without prior notification.

SANY HEAVY MACHINERY (UK) LTD
info@sanyuk.com
www.sanyuk.com

